



# RECLAIMER / STABILIZER PARTS REFERENCE GUIDE

SHOP ONLINE AT [WWW.PARTS.CAT.COM](http://WWW.PARTS.CAT.COM) OR CONTACT YOUR LOCAL CAT DEALER







<b>Introduction</b> .....	<b>4</b>	<b>Spray Systems</b> .....	<b>25</b>
<b>Support</b> .....	<b>4</b>	Water Spray System .....	26
Repair Options .....	4	Emulsion Spray System .....	28
Cat Inspect App .....	4	Washdown Spray System .....	30
Genuine Cat® Parts .....	5	Spray System Components .....	31
Parts Kits .....	5	<b>Upgrades and Accessories</b> .....	<b>33</b>
Cat Service Information System (SIS) .....	5	Lighting .....	36
Locating Serial Numbers and Build Numbers .....	6	Mirrors .....	36
<b>Rotors</b> .....	<b>7</b>	Attachments and Accessories .....	36
Selecting a Rotor .....	8	Cameras .....	37
Rotor Applications .....	9	<b>Preventative Maintenance</b> .....	<b>38</b>
Rotor Options .....	10	RM400 .....	39
Cutter Bit Offering .....	17	RM500, RM500B .....	40
Bit Service Tools .....	17	RM600, RM800 .....	41
<b>Cutting Chamber</b> .....	<b>18</b>	<b>Cat VisionLink®</b> .....	<b>42</b>
Cutting Chamber Components .....	20		
<b>Rotor Drive System</b> .....	<b>21</b>		
Rotor Drive Components .....	24		



# SUPPORT

## WHEN YOU NEED IT MOST

When we say we're right there with you, we mean it. We're focused on building relationships that extend well beyond machines. That means sharing our expertise to help you select, finance, operate and maintain equipment and then standing by your side to keep that equipment—and your business—running smoothly.

To learn more, contact your local Cat dealer and your Cat Financial Commercial Account can help with convenient payment plans for any parts and/or service needs. [FIND YOUR DEALER](#)



**FIND YOUR DEALER**

### REPAIR OPTIONS

Maximize your uptime and minimize overall owning and operating costs by planning an off-season repair and annual replacement of wear parts. Whether you are a Do-it-myself, Do-it-with-me, or a Do-it-for-me customer, your Cat dealer is ready to assist you with parts orders to complete rebuilds of your equipment.

**DO-IT-MYSELF** – If you prefer to do the work in-house, your Cat dealer can help you determine your parts needs. One of our experts will utilize Caterpillar Service Information, or can perform a (TA1) visual inspection, or (TA2) technical inspection to help you identify your parts replacement needs.

**DO-IT-WITH-ME** – In addition to providing parts, your Cat dealer can supplement your repair capabilities with fully trained technicians and specialized tooling that your team may not have.

**DO-IT-FOR-ME** – Your Cat dealer can manage the replacement of vital wear parts or a complete rebuild. Ask your dealer about an inspection and a repair option plan to meet your needs.

### CAT® INSPECT APP PROVIDES QUICK AND EASY DIGITAL INSPECTIONS

Cat Inspect allows you to access your equipment data on your mobile device. This easy-to-use app lets you capture inspection data and integrates with your other Cat data systems, so you can keep a close eye on your fleet.

**To get access, speak with your Cat dealer today to start using the Cat Inspect App for your equipment inspections.**



#### LEARN MORE

Find out more about the [Cat Inspect app](#)



# PROTECT YOUR INVESTMENT

## WITH GENUINE CAT® PARTS

This guide is designed to provide you with a **quick reference for key wear and maintenance parts** and part numbers you need to keep your Cat cold planer operating at peak efficiency. It is not a replacement for the Parts Manual. Always read and understand the machine's Operation and Maintenance Manual prior to performing any type of maintenance.

Proactive preventative maintenance extends the life of your machine and protects your investment. Proper maintenance minimizes the need for repair and replacement. In the event that replacement parts are required, the use of genuine Cat parts helps maximize machine performance and maintains high resale value.

**PURCHASE PARTS  
AND OPERATION AND  
MAINTENANCE MANUALS  
ONLINE 24/7**

<http://catpublications.com/>



## 5 REASONS TO USE GENUINE CAT PARTS

1. Cat parts are constructed of top-quality materials, built to exact original specifications by our engineers and rigorously tested to ensure maximum performance.
2. Cat parts are precisely matched to other Cat components for an exact fit to deliver greater reliability, durability and longer life.
3. We maintain the largest inventory of replacement parts in the industry to ensure the best possible availability anywhere in the world.
4. By using only Cat parts you maintain your equipment integrity to maximize its resale value.
5. Cat parts come with a 12-month warranty backed by Caterpillar and supported by dealers around the world.

### PARTS KITS

Some models offer parts kits that include all of the parts needed for a specific repair or rebuild in addition to part numbers for the individual pieces with the quantity needed. Paper kits contain a compiled list of the part numbers to order for select repairs, rebuilds or upgrades. For complete replacement parts lists, service, and ordering information by machine sales model, contact your local Cat dealer.

### CAT SERVICE INFORMATION SYSTEM (SIS)

Cat Service Information System (SIS) is the electronic service tool that covers all information for Cat products from 1977 to today. With 2 million service graphics, 1.5 million parts numbers, and 44,000 parts/service documents, this tool is the equivalent of over 25,000 books a click away!



[WWW.PARTS.CAT.COM](http://www.parts.cat.com)

Register and create your SIS account or shop parts online 24/7



# LOCATING THE SERIAL NUMBER AND BUILD NUMBER

Knowing the Serial Number and Build Number (if applicable) for your equipment is important for selecting the correct replacement parts, accessories, upgrades, filters and fluids.

If you are uncertain about which parts to order, your Cat dealer is ready to assist with the ordering process.

MODEL NUMBER	123XELGP	CAT®	CATERPILLAR®	
BUILD	01A	CAT®	CATERPILLAR®	
PRODUCT IDENTIFICATION NUMBER	*CAT00123EREY00001*			

1. Each machine has a unique PIN number.
2. The Serial Number is the last 8 characters of the PIN number. PIN plate locations are shown below.
3. Some models will have a Build Number. If your machine has one, it is located above the PIN number field. In some cases, parts or upgrades may only apply to machines with a certain build number. If this exception applies, it will be noted on the part number tables in this document.



RM400



RM500, RM500B



RM600, RM800



# ROTORS

DESIGNED FOR EFFICIENT PRODUCTION

Cat® rotors work efficiently on a variety of reclamation and stabilization projects to help you meet production goals. Always inspect the rotor before use and replace damaged bits and toolholders.



# SELECTING THE ROTOR THAT'S RIGHT FOR YOU

Not all rotors are created equal, so choosing the correct rotor for the job can help you achieve maximum productivity and increase uptime.

- + Know your application
- + Determine the results you need for gradation performance and breakout force
- + Choose a cutting bit specific to the application to optimize machine efficiency

When choosing a rotor for your Cat reclaimer / stabilizer, there are many factors that affect the measure of performance:

- + Your machine selection will dictate how much power you will be able to apply
- + Each application has many variables that can affect performance: soil type, asphalt layer thickness, type of asphalt used, etc.
- + Rotor selection will dictate the parameters for gradation performance and breakout force
- + Machine settings – propel speed, rotor speed, position of front or rear mixing chamber door – will also dramatically affect the performance of the rotor

Not all rotors are available in all regions. Please refer to the [Rotor Selection Guide](#) (QEHQ1233) for more information about selecting a rotor or your Cat dealer can help you choose the best machine and rotor for the application.

ROTOR OFFERING BY MODEL				
ROTOR	RM400	RM500†, RM500B	RM600	RM800
Universal 16	X	X		
Universal 18*	X	X		
Combination	X	X		
Soil		X		
Spade*	X			
System K			X	X

\* Not available in all regions. Please consult your local Cat dealer for availability.

† Build Number: 02A. To identify the build number on your machine, refer to page 6 of this document.





## ROTOR SELECTION BY APPLICATION

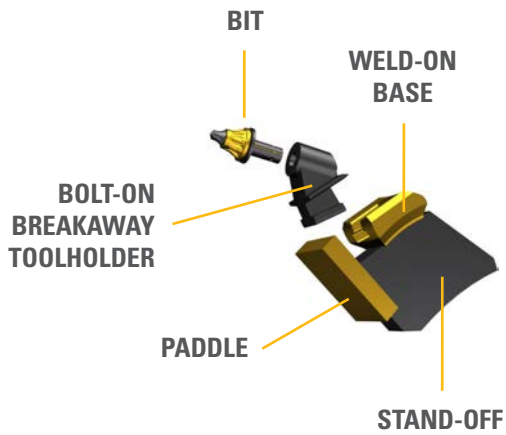
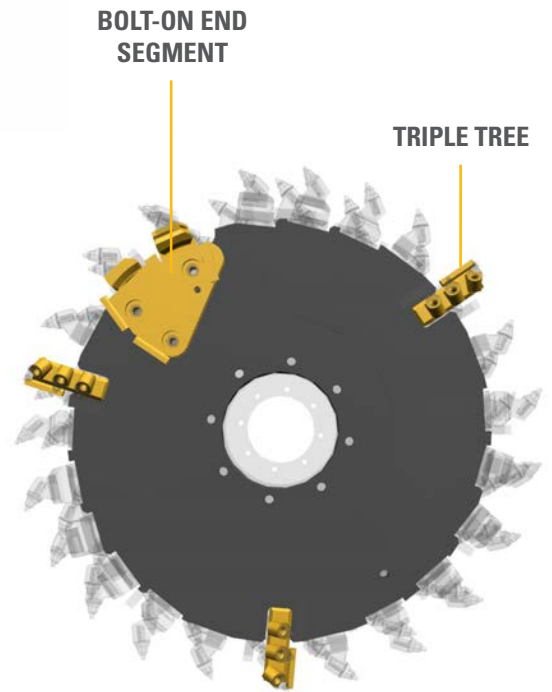
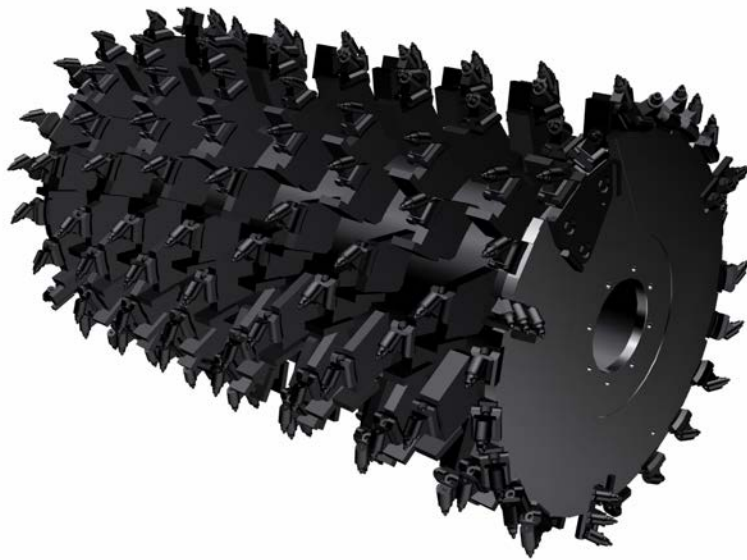
Cat rotors are capable of producing good results in many applications, but each is designed to provide maximum efficiency and productivity in specific applications. This chart provides general guidance for choosing a rotor.

### KEY

- ✓ Ideal choice for specific application
- Acceptable, but not ideal
- ✗ Not recommended for this application

ROTOR OFFERING BY APPLICATION				
RECLAMATION / FULL DEPTH ASPHALT				
	Thin Asphalt Layer 25-75 mm (1-3 in)	Medium Asphalt Layer 75-175 mm (3-7 in)	Thick Asphalt Layer 175-250 mm (7-10 in)	Soil and Cement (fully cured)
Universal 16	✓	✓	✓	✓
Universal 18*	✓	✓	○	✓
Combination	○	○	✗	○
Soil	○	✗	✗	○
Spade*	✗	✗	✗	✗
System K (Wedges)	✓	✓	✓	✓
System K (Paddles)	✓	✓	✓	○
MIXING / SOIL STABILIZATION				
	Granular Soils	Granular with Rocks < 130 mm (5 in), Debris	Light Clay	Heavy Clay / Gumbo
Universal 16	✓	✓	○	✓
Universal 18*	✓	✓	○	○
Combination	○	○	✓	✓
Soil	✓	✗	○	○
Spade*	✓	✓	✓	✓
System K (Wedges)	✓	✓	✓	✓
System K (Paddles)	○	○	○	✗

\* Not available in all regions. Please consult your local Cat dealer for availability.

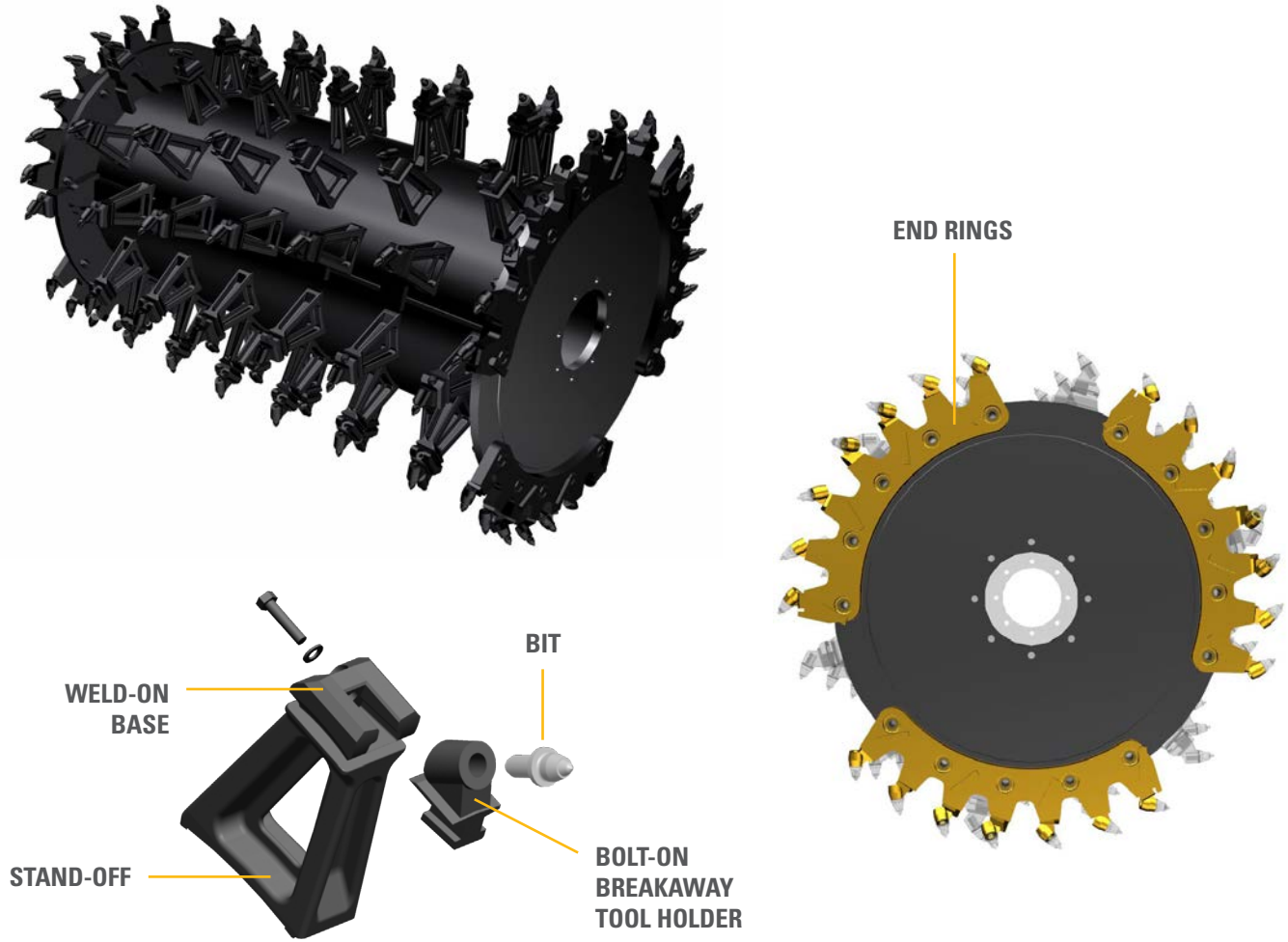




UNIVERSAL ROTOR					
MACHINE MODEL	DESCRIPTION	DETAIL	PART NUMBER	QUANTITY	
RM400, RM500†, RM500B	Universal 16 Rotor		287-1724	1	
	Universal 18 Rotor*		229-3180	1	
	Toolholder	20 mm Shank Size		151-9941	182
		22 mm Shank Size		272-6089	182
	Triple Tree – Universal 16	Right		287-5853	3
		Left		287-5852	3
	Triple Tree – Universal 18	Right		205-6561	3
		Left		205-6562	3
	Paddles		183-4364	146	
	Weld-On Base Block		169-1412	182	
	Weld-On Stand-Off Assembly	Universal 16		183-4356	115
				211-1977	9
				211-1978	9
				211-1979	10
	Weld-On Stand-Off Assembly	Universal 18		229-3188	127
				229-3189	3
				229-3190	4
				229-3191	4
	End Ring Wedge for Blocks			183-4366	10
				183-4367	10
			183-4368	6	
Bolt-on End Segment	Right		205-6555	1	
	Left		205-6556	1	

\* Not available in all regions. Please consult your local Cat dealer for availability.

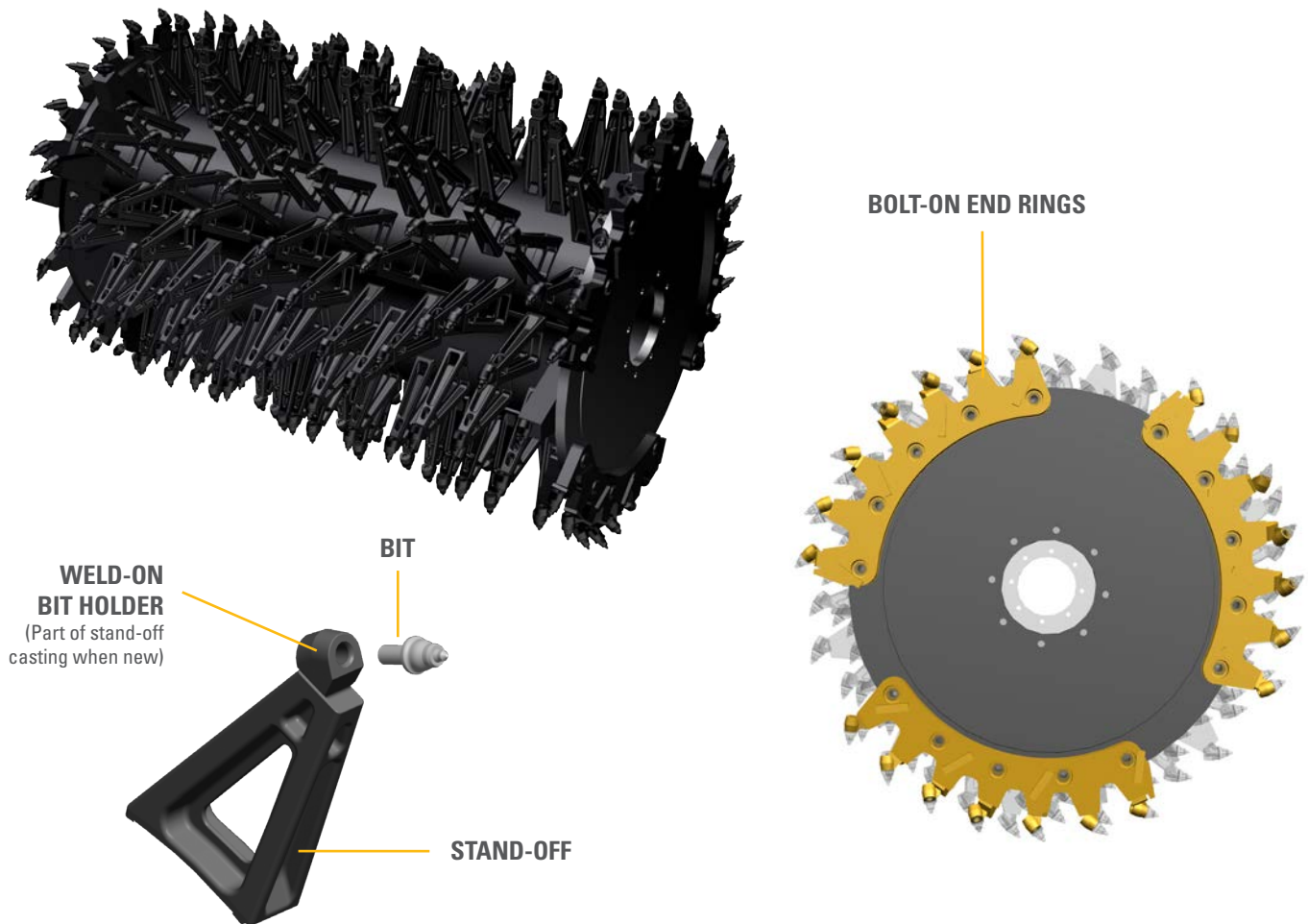
† Build Number: 02A. To identify the build number on your machine, refer to page 6 of this document.



## COMBINATION ROTOR

MACHINE MODEL	DESCRIPTION	DETAIL	PART NUMBER	QUANTITY
RM400, RM500†, RM500B	Combination Rotor		272-6090	1
	Toolholder	20 mm Shank Size	151-9941	72
		22 mm Shank Size	272-6089	72
	Weld-On Base Block		169-1412	72
	Weld-On Stand-Off Assembly		272-6101	68
	Bolt-On End Ring	Right	272-6096	3
		Left	272-9095	3
	End Ring Toolholder		274-8559	7 per End Ring

† Build Number: 02A. To identify the build number on your machine, refer to page 6 of this document.



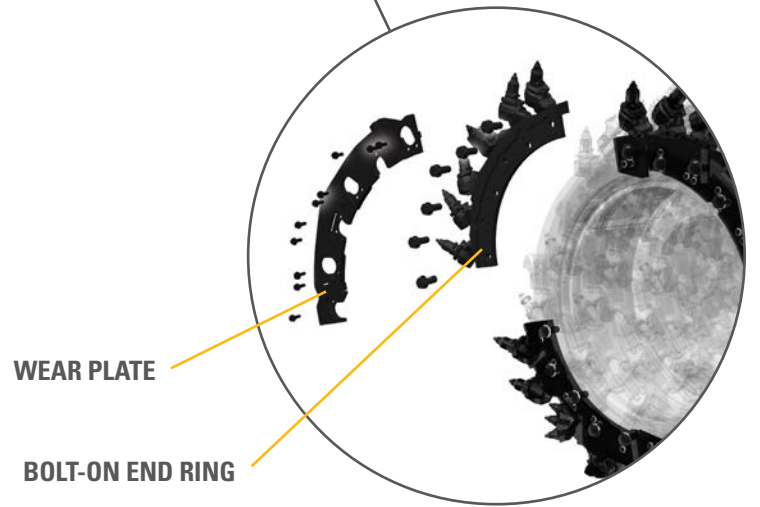
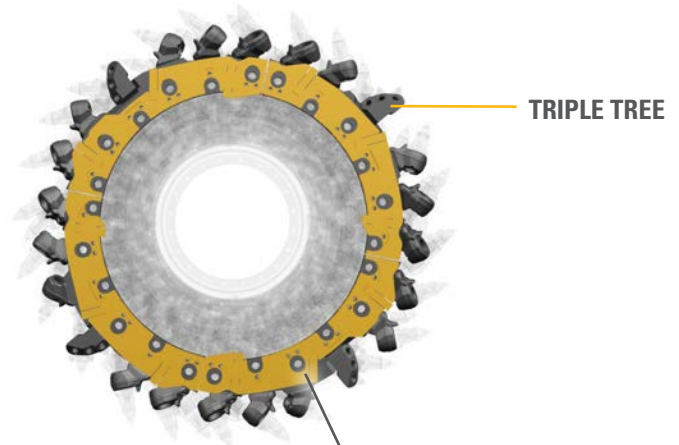
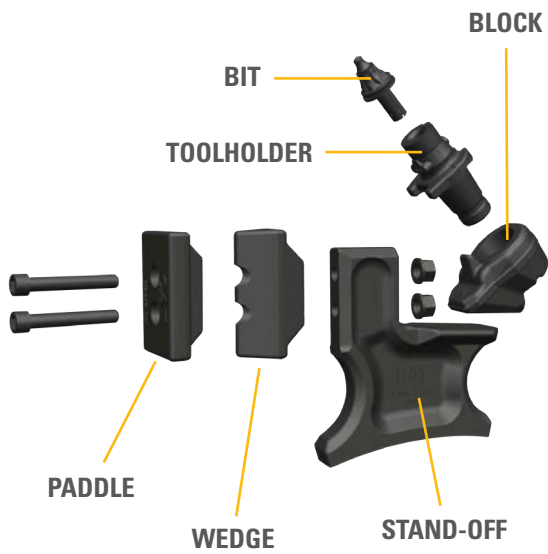
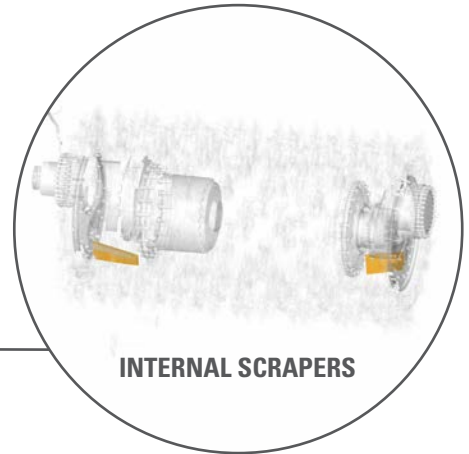
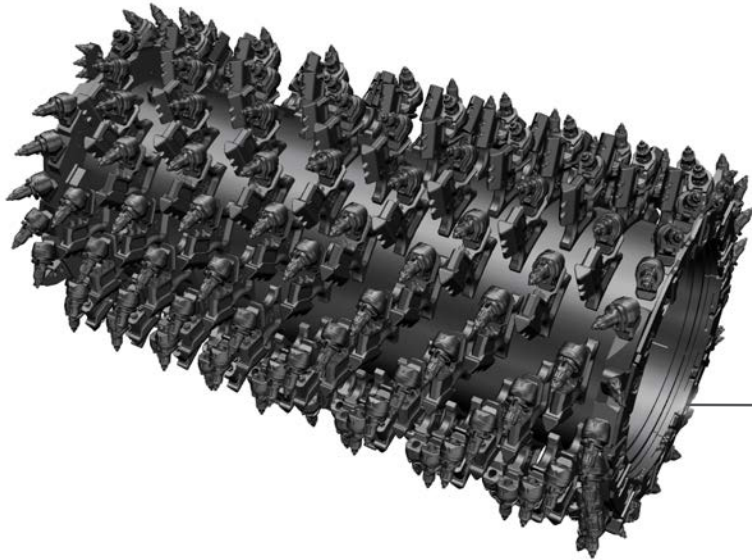
## SOIL ROTOR

MACHINE MODEL	DESCRIPTION	DETAIL	PART NUMBER	QUANTITY	
RM500 <sup>†</sup> , RM500B	Soil Rotor		250-3960	1	
	Toolholder		241-5859	238	
	Stand-Off with Toolholder		272-2446	180	
	Bolt-On End Ring		Right	241-5876	3
			Left	241-5875	3
	Stand-Off Assembly		241-5857	6	
	End Ring Toolholder		241-5859	7 per End Ring	

<sup>†</sup> Build Number: 02A. To identify the build number on your machine, refer to page 6 of this document.



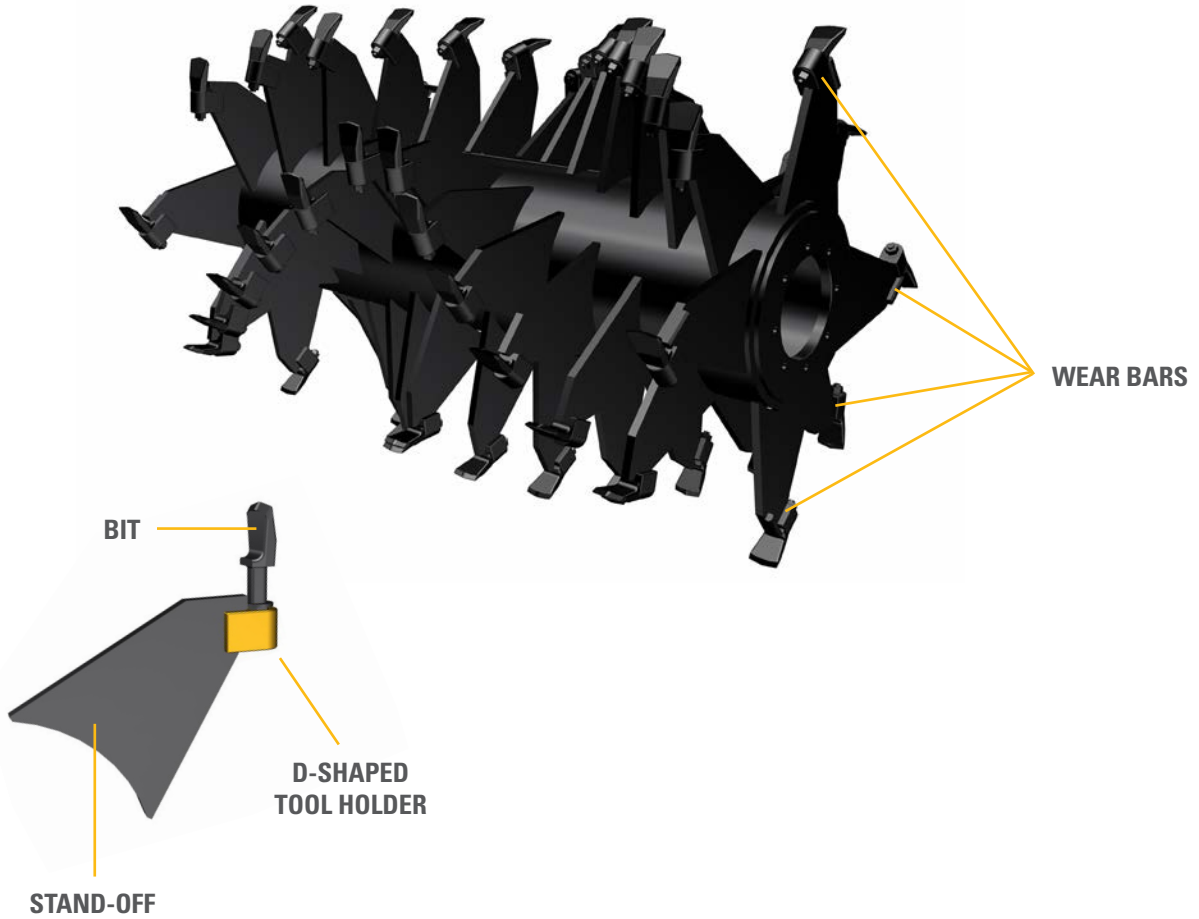
### SYSTEM K ROTOR





## SYSTEM K ROTOR

MACHINE MODEL	DESCRIPTION	DETAIL	SHANK SIZE	PART NUMBER	QUANTITY
RM600, RM800	System K Rotor	Paddle	20 mm	608-7450	1
			22 mm	608-7453	
		Wedge	20 mm	608-7452	1
			22 mm	608-7455	
	Toolholders		20 mm	583-6054	184
			22 mm	519-7374	
	Paddles			552-3519	144
	Wedges			552-3520	144
	Nuts			8T-4132	288
	Bolts			637-8540	288
	Washers			9X-8257	288
	Blocks			496-3468	184
	Stand-Off with Block Assembly			588-2571	144
	Triple Trees	Right	20 mm	623-6806	4
			22 mm	624-1610	4
		Left	20 mm	623-6807	4
			22 mm	624-1611	4
	Bolt-On End Rings	Right	20 mm	624-7676, 624-7677 624-7678, 624-7679	1 each
			22 mm	624-1598, 624-1599 624-1601, 624-1602	1 each
		Left	20 mm	624-7672, 624-7673 624-7674, 624-7675	1 each
			22 mm	624-1603, 624-1605 624-1607, 624-1609	1 each
	End Ring Wear Plates	Right		623-7937, 623-7939	2 each
		Left		623-7940, 623-7941	2 each
	Internal Scrapers	Right		619-9968	1
Left			619-9966	1	



### SPADE ROTOR

MACHINE MODEL	DESCRIPTION	PART NUMBER	QUANTITY
RM400	Spade Rotor	129-9365	1
	Toolholder – D-Shaped	107-3343	58
	Spade Bit	077-4018	58
	Weld-On Stand-Off	129-9364	58
	Wear Bar	129-8197	8



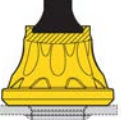

Not available in all regions. Please consult your local Cat dealer for availability.





# BITS

Choosing the right cutting bit for your application can optimize the efficiency of the machine, resulting in more production with ideal material sizing and mixing quality. These charts identify which cutting bits are recommended for common applications. Bit holders can be retrofitted to allow for the use of the larger or smaller shank size.

CUTTER BITS FOR COMMON APPLICATIONS			
DESCRIPTION	SHANK SIZE	ROTOR	PART NUMBER
 <p>Heavy Duty (Higher Carbide Content)</p>	20 mm	Universal, Soil, Combination, System K	Piece: 561-8135 <hr/> Pallet:* 626-4496
 <p>Higher Impact (Valve Seat Tip)</p>	20 mm	Universal, Soil, Combination, System K	Piece: 564-1260 <hr/> Pallet:* 626-4494
 <p>Light Duty</p>	20 mm	Universal, Soil, Combination, System K	Piece: 578-4416 <hr/> Pallet:* 626-4495
 <p>Higher Impact</p>	22 mm	Universal, Combination, System K	Piece: 533-5760

\* Available in North America

## CUTTER BITS WITH PULLER GROOVE



**Application:** Light Duty  
**Material:** Soft - Medium Asphalt  
**Shank Size:** 20 mm  
**Part Number (Piece):** 560-2306  
**Part Number (Pallet):** 626-4493



**Application:** High Impact  
**Material:** Hard Asphalt / Stony Soil  
**Shank Size:** 20 mm  
**Part Number (Piece):** 561-8132

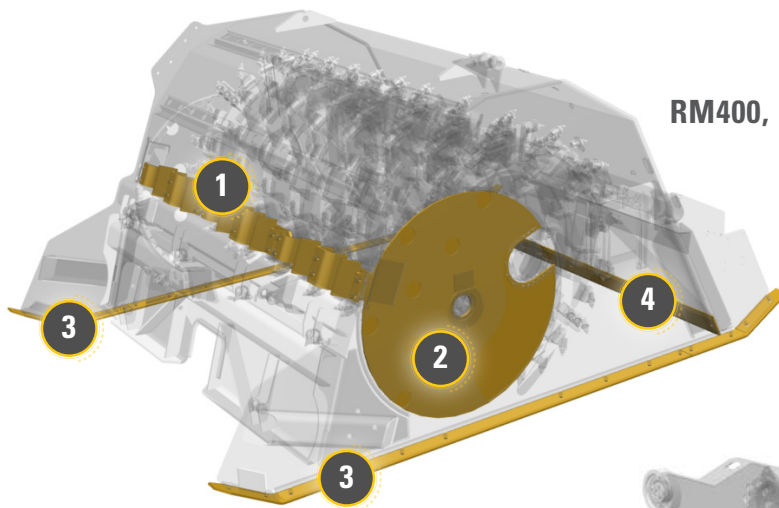
SERVICE TOOLS		
DESCRIPTION	ROTOR	PART NUMBER
Bit Removal Punch Hand Tool	System K	543-5470
Bit Removal Punch Hand Tool	All	104-8591
Bit Puller for Puller Groove Bits	All	539-6298
System K Toolholder Removal Fork	System K	592-3967



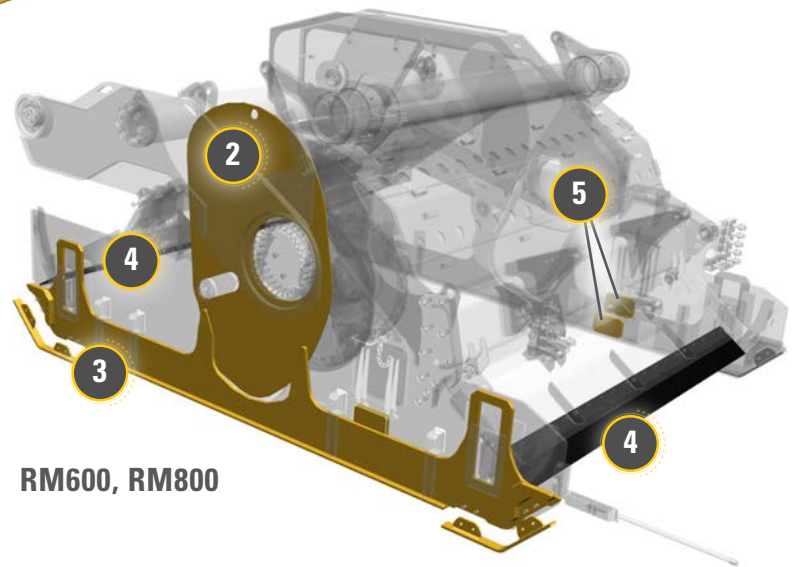
## CUTTING CHAMBER

### EASY TO SERVICE

Cat reclaimer cutting chambers are designed with service in mind. Equipped with convenient bolt-on repair parts to maintain the cutting chamber throughout the life of the machine. Easily replace the levelers, as needed, to maintain gradation control and spread of material. Inspect and replace the breaker bars and strike off plates to protect the inside of the cutting chamber and assist with breaking up material.



RM400, RM500, RM500B



RM600, RM800



**1. BREAKER BAR** The breaker bar mounts inside the mixing chamber and enhances rotor's ability to pulverize large chunks of asphalt. RM400, RM500 and RM500B only.

**2. CHAMBER DEBRIS PLATE** Installed on each side of the rotor to provide protection and guide the depth adjustment of the rotor while keeping material inside the chamber.

**3. CHAMBER WEAR SKIS** Bolt-on skis protect the sides of the cutting chamber to prevent permanent abrasion to bottom of mixing chamber.

RM400, RM500,  
RM500B (REAR DOOR  
ONLY)

RM600, RM800

**4. CHAMBER DOOR MATERIAL LEVELER** Bolt-on levelers for the front and rear doors that help with gradation control and distribution of material coming out of the chamber.

**5. MIXING CHAMBER WEAR PLATES** Weld-on wear plates inside the chamber that deflect material from the rotor end rings. RM600 and RM800 only.



CUTTING CHAMBER			
DESCRIPTION	MACHINE MODEL	PART NUMBER	QUANTITY
Chamber Wear Skis – Front and Rear	RM400, RM500†, RM500B	394-5142	4
	RM600, RM800	551-2433	4
Chamber Wear Skis – Center	RM400, RM500†, RM500B	394-5144	2
	RM600, RM800	588-3630	2
Chamber Door Material Leveler	RM400, RM500†, RM500B	077-7730	1
	RM600, RM800	600-9430	2
Material Leveler Retaining Plates	RM600, RM800	518-9219	8
Chamber Debris (Kidney) Plates	RM400, RM500†, RM500B	377-3136	2
	RM600, RM800	594-9447	2
Mixing Chamber Wear Plates	RM600, RM800	518-9149	4
Breaker Bars	RM400, RM500†, RM500B	193-1039	3

† Build Number: 02A. To identify the build number on your machine, refer to page 6 of this document.



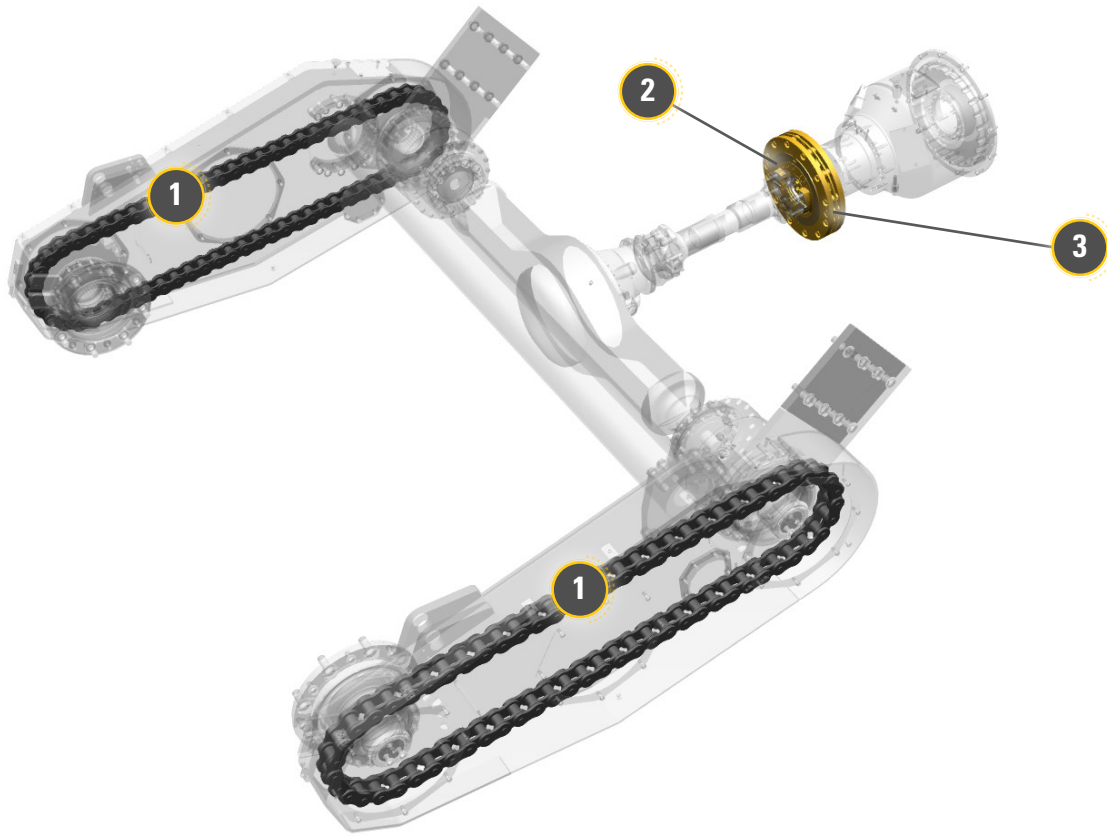
## ROTOR DRIVE SYSTEM

BUILT-IN DURABILITY

On the RM600 and RM800, periodically inspect the rotor drive system including the rotor drive belt, pulley system, and sheaves to avoid rotor slippage and ensure efficient rotor operation. Rips, tears, or excessive stretch in the rotor drive belt indicates belt replacement is necessary. Inspect the V-grooves in the sheaves to ensure they are properly engaging with the grooves of the rotor drive belt.



### RM400, RM500, RM500B



**1. ROTOR DRIVE CHAIN** Strong and reliable drive chain designed to transfer power to the rotor.



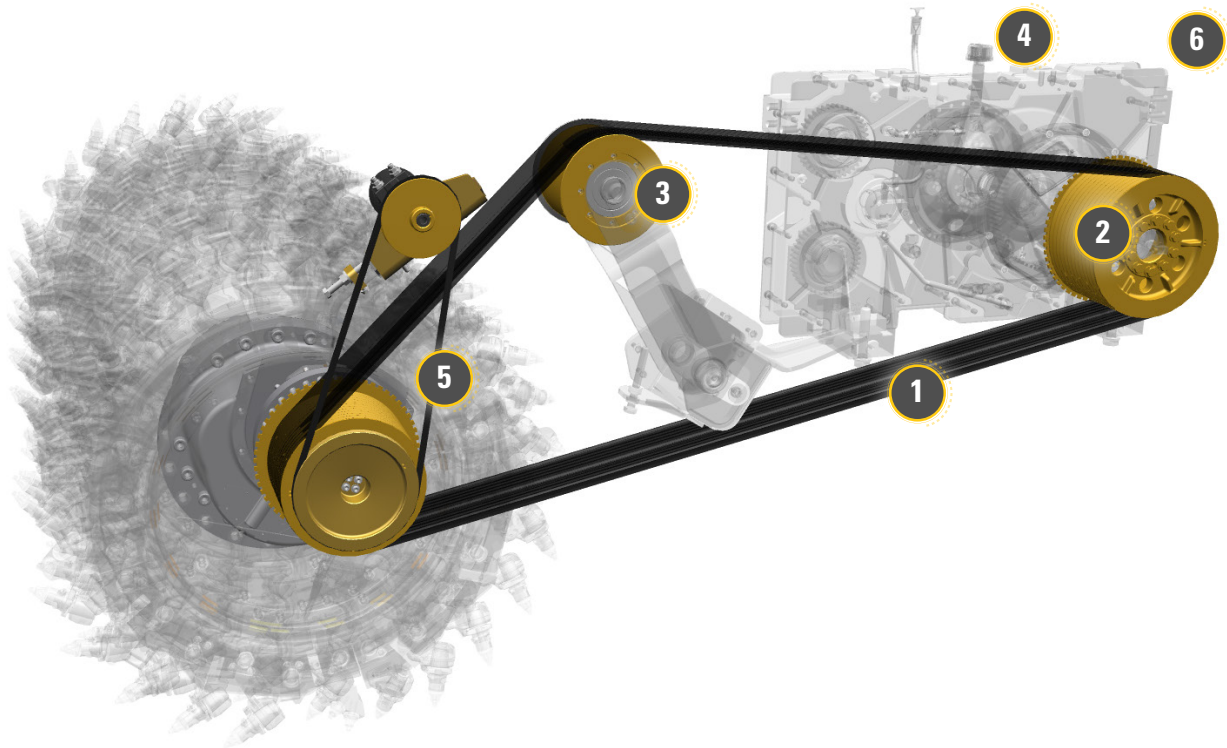
**2. SHEAR DISK** Protects the rotor drive system by decoupling the rotor drive transmission from the rotor.



**3. TORQUE LIMITER** The torque limiter minimizes the amount of torque that can be transferred from the engine to the rotor drive system. This allows the mechanism to limit potential damage when the rotor strikes an immovable object like a manhole cover.



RM600, RM800



**1. ROTOR DRIVE BELT** V-belt designed to ensure consistent tension when engaging the rotor and prevent slippage.



**2. SHEAVE** Interfaces with v-grooves in rotor drive belt to transfer torque and speed from engine to rotor.



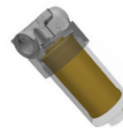
**3. TENSIONER IDLER** Idler on the tensioner arm for the rotor drive belt.



**4. PUMP DRIVE BREATHER** Filter for the pump drive that ensures air that enters the pump is clean and dry.



**5. ROTOR TURNING DEVICE BELT** Belt designed to ensure efficient operation of the rotor turning device during rotor service.



**6. ROTOR DRIVE PLANETARY OIL FILTER** Oil filter for the rotor drive planetary.



**ROTOR TURNING DEVICE PENDANT** Controller for the rotor turning device. Rotates the rotor forward or backward.



ROTOR DRIVE SYSTEM COMPONENTS			
MACHINE MODEL	DESCRIPTION	PART NUMBER	QUANTITY
RM400	Rotor Drive Chain	528-4977	2
	Shear Disk	530-1359	1
	Bolts for Shear Disk	7X-0278	1
	Nuts for Shear Disk	3E-9860	1
	Torque Limiter	532-7134	1
RM500†, RM500B	Rotor Drive Chain	356-1944	2
	Shear Disk	151-7256	1
	Bolts for Shear Disk	7X-0319	1
	Nuts for Shear Disk	9M-5048	1
	Torque Limiter	153-1356	1
RM600, RM800	Rotor Drive Belt	507-8375	1
	Sheave (RM600)	519-4482	2
	Sheave – Upper (RM800)	507-8385	1
	Sheave – Lower (RM800)	507-8386	1
	Tensioner Idler	580-8336	1
	Rotor Turning Device Belt	7W-8132	1
	Rotor Turning Device Pendant	574-8985	1
	Pump Drive Breather	258-2829	1
	Rotor Gearbox Breather	535-8636	1
	Rotor Drive Planetary Screen	271-3431	1
	Rotor Drive Planetary Magnetic Filter	279-2467	1
	Rotor Drive Planetary O-Ring	2H-6338	1
	Rotor Drive Planetary Oil Filter	579-0251	1

† Build Number: 02A. To identify the build number on your machine, refer to page 6 of this document.





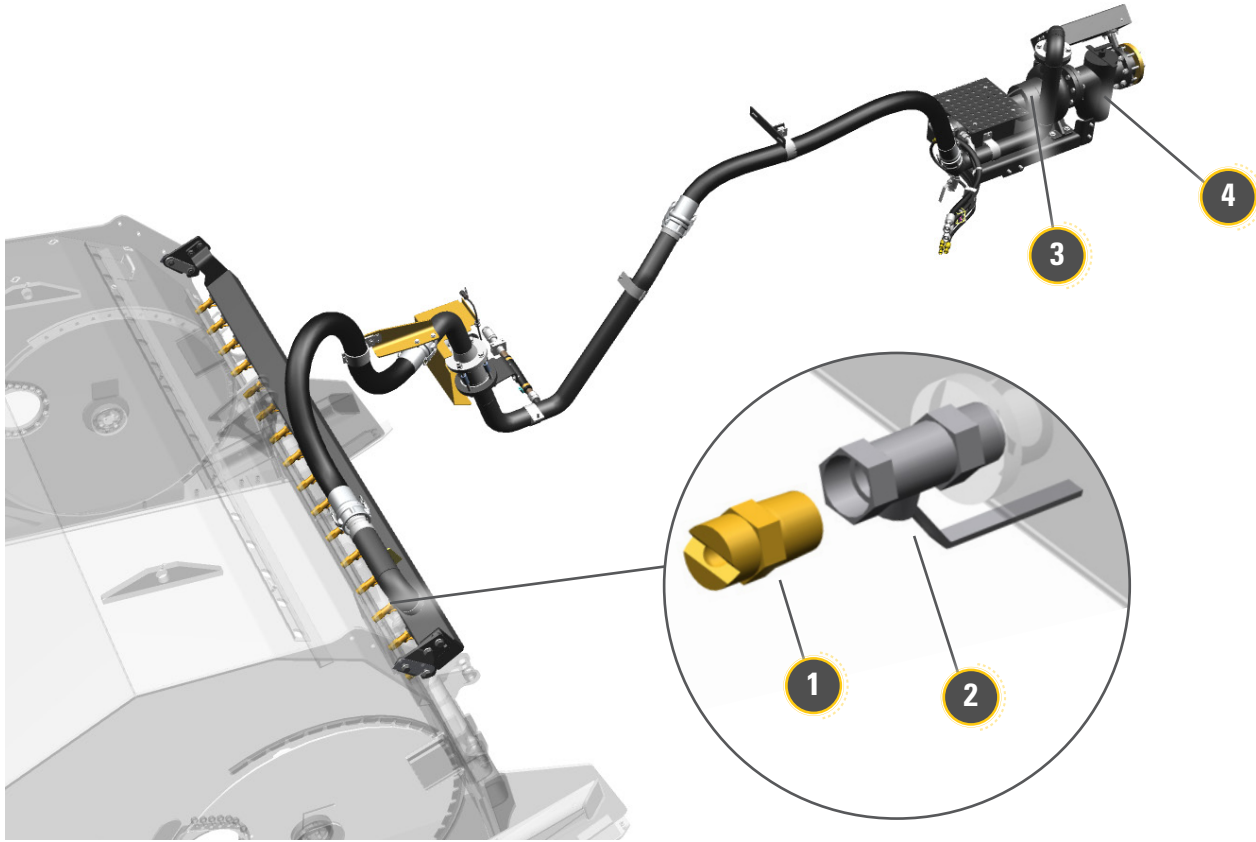
## SPRAY SYSTEMS

MEET SPECIFICATIONS WITH PRECISION

The spray systems cool rotor components to prolong their wear life and assist in material mixing in certain applications. To keep the system clean, replace the filters according to the recommended service intervals. Frequently clean the spray bars and nozzles to ensure proper operation and periodically inspect them for damage and clogs.



## RM400, RM500, RM500B WATER SPRAY SYSTEM

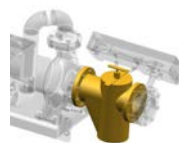


**1. SPRAY NOZZLES** Designed for an effective and efficient water spray pattern.

**2. VALVE** Turns each spray nozzle on or off to regulate the water spray.



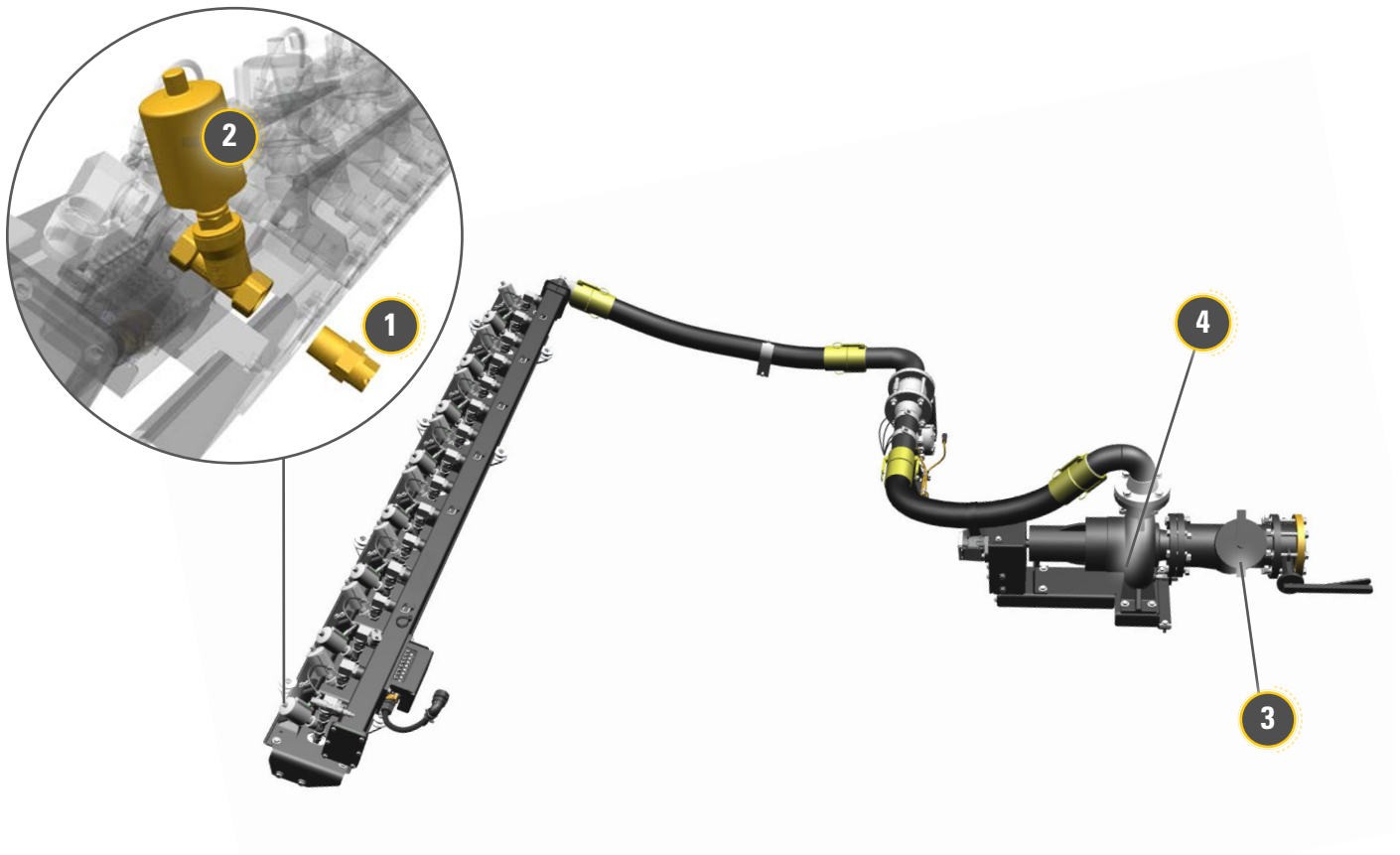
**3. WATER SPRAY PUMP** Efficiently transfers water from the tank to the spray nozzles.



**4. STRAINER BASKET AND O-RING** Filter to keep sediment out of the water system.



## RM600, RM800 WATER SPRAY SYSTEM



**1. SPRAY NOZZLES** Designed for an effective and efficient water spray pattern.

**2. ACTUATORS** Pneumatic actuator opens or closes the water spray valve on each nozzle.



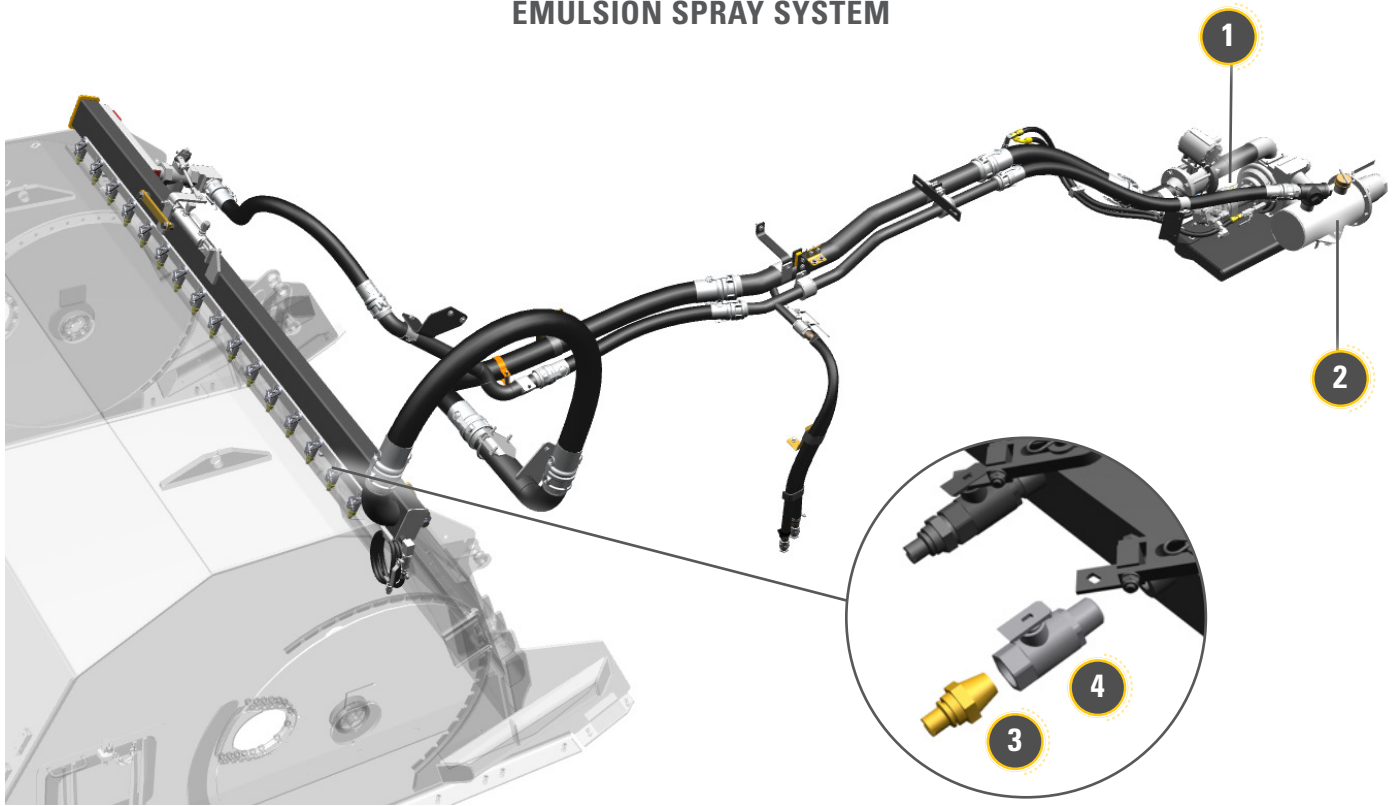
**3. STRAINER BASKET AND O-RING** Filter to keep sediment out of the water system.



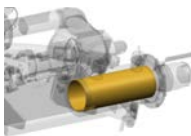
**4. WATER SPRAY PUMP** Efficiently transfers water from the tank to the spray nozzles.



## RM400, RM500, RM500B EMULSION SPRAY SYSTEM



**1. EMULSION PUMP** Efficiently transfers bitumen emulsion from the truck to the spray nozzles.



**2. STRAINER BASKET AND O-RING** Filter to keep sediment out of the emulsion system.

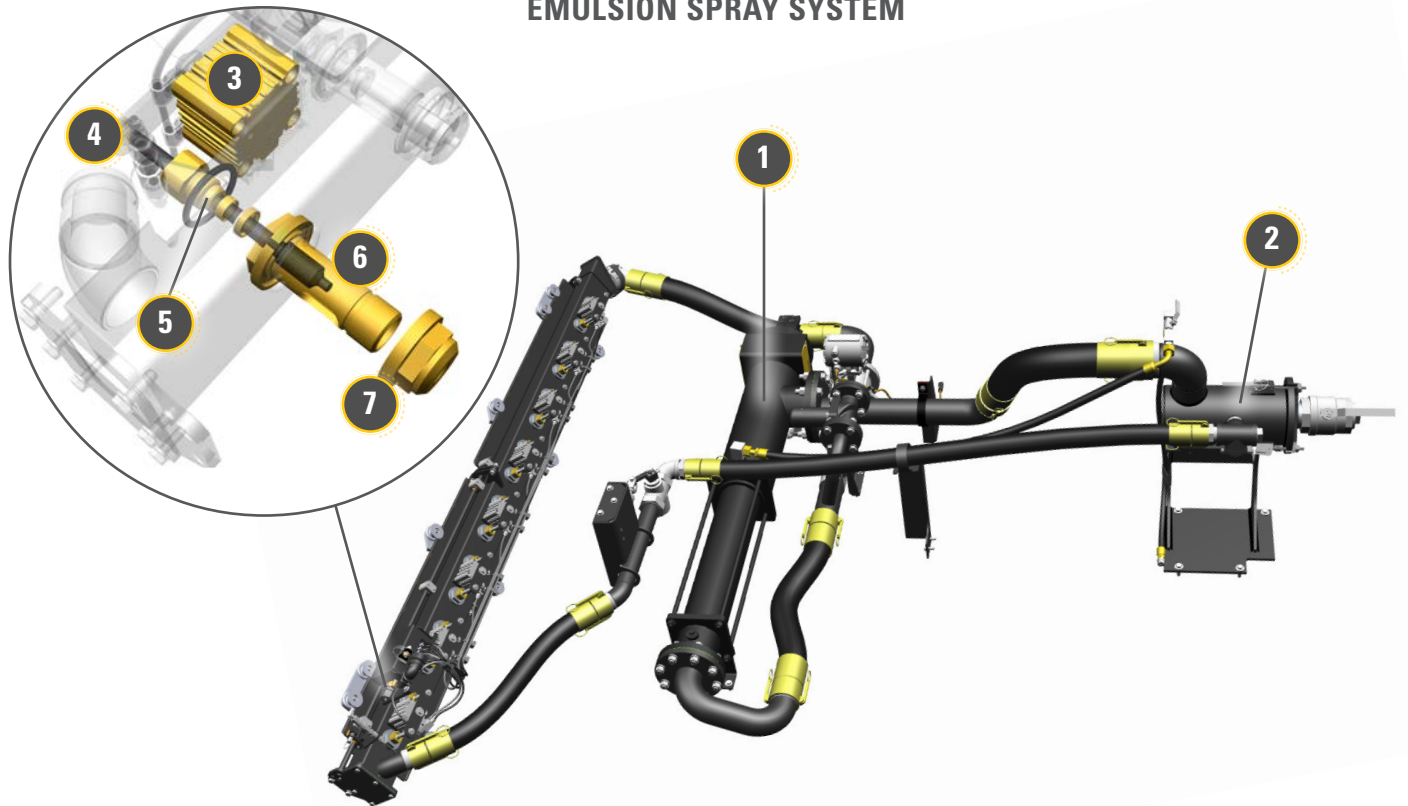


**3. VALVE** Turns each spray nozzle on or off to regulate the emulsion spray.

**4. NOZZLE** Designed for an effective and efficient emulsion spray pattern.



## RM600, RM800 EMULSION SPRAY SYSTEM



**1. EMULSION PUMP** Efficiently transfers bitumen emulsion or water from the truck to the spray nozzles.



**2. STRAINER BASKET AND O-RING** Filter to keep sediment out of the emulsion system.

**3. ACTUATOR** Pneumatic actuator opens or closes the emulsion spray valve on each nozzle.



**4. PIN** Pin in the emulsion spray nozzle assembly.

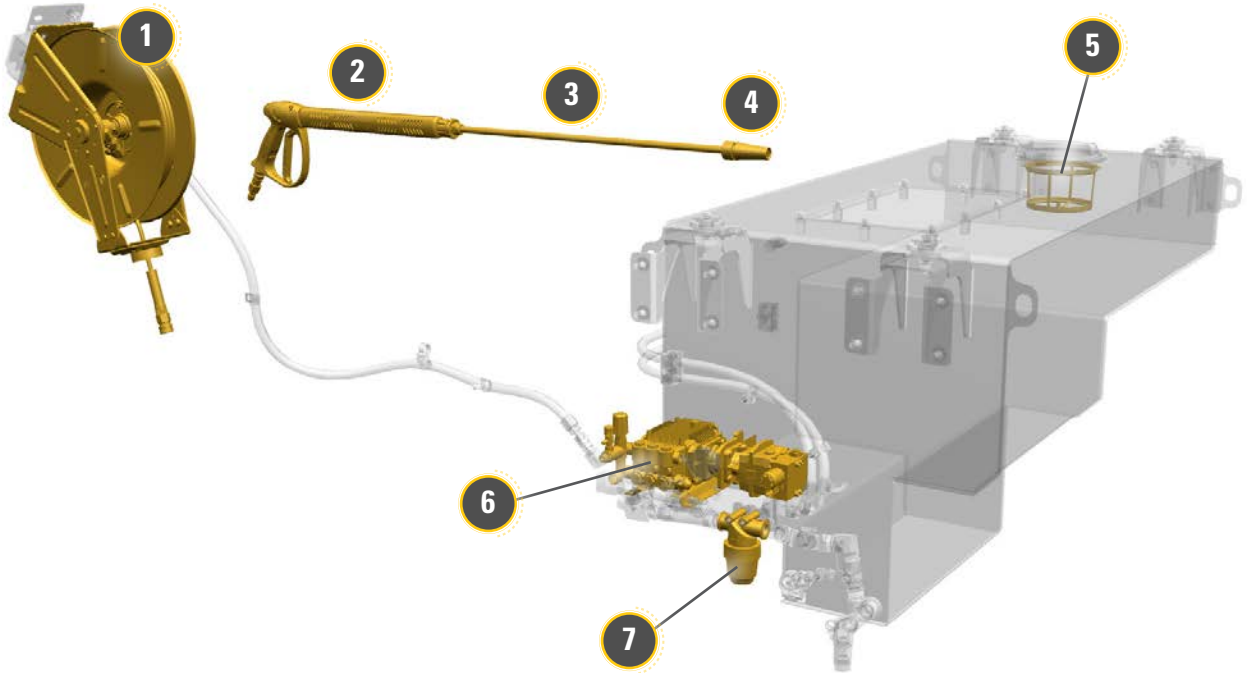
**5. BRASS GLAND** Seals the housing to the spray nozzle assembly.

**6. HOUSING** Housing for the emulsion spray nozzle assembly.

**7. NOZZLE** Designed for an effective and efficient emulsion spray pattern.



## RM600, RM800 WASHDOWN SPRAY SYSTEM



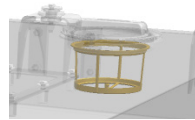
**1. HOSE REEL** Retractable reel and hose storage.



**2. SPRAY GUN** Handle and controls for the spray wand.

**3. SPRAY LANCE** Screws into the spray gun and accepts various spray nozzles.

**4. SPRAY NOZZLE** Provides effective spray pattern.



**5. WATER TANK STRAINER** Initial filter to catch debris when pumping water into the tank.



**6. WATER PUMP** Efficiently transfers water from the tank to the spray gun.



**7. WATER FILTER** Filter to keep sediment out of the water spray system.



## SPRAY SYSTEMS

SUBSYSTEM	MACHINE MODEL	DESCRIPTION	PART NUMBER	QUANTITY	GROUP PART NUMBER (INCLUDES HARDWARE)
Water Spray System	RM400*	Nozzle – High Flow	115-7575	16	530-1341
		Nozzle – Medium Flow	352-7009	16	
		Nozzle – Low Flow	115-7573	16	
		Ball Valve	191-4838	16	
		Breather	559-2269	1	
		Strainer Basket	569-6887	1	
		Strainer Basket O-Ring	3F-5792	1	
		Water Pump	559-6381	1	
	RM500†, RM500B	Nozzle – High Flow	191-4837	16	379-8944
		Nozzle – Medium Flow	352-7009	16	
		Nozzle – Low Flow	434-7177	16	
		Ball Valve	191-4838	16	
		Breather	113-9263	1	
		Strainer Basket	569-6887	1	
		Strainer Basket O-Ring	095-1720	1	
		Water Pump	423-8727	1	
	RM600, RM800	Nozzle – High Flow	191-4837	16	479-0327
		Nozzle – Medium Flow	325-7009	16	
		Nozzle – Low Flow	434-7177	16	
		Actuator	558-6439	16	
		Strainer Basket	569-6887	1	
		Strainer Basket O-Ring	3F-5792	1	
		Water Pump	559-6381	1	
	Ultra Low Flow Water Spray System	RM500†, RM500B	Nozzle	325-7009	16
Ball Valve			191-4838	16	
Breather			113-9263	1	
Strainer Basket			495-7557	1	
Strainer Basket O-Ring			095-1720	1	
Water Pump			423-8727	1	

\* If adding a spray system to the RM400, a second touch screen display is required. Please consult your Cat dealer if adding this option.

† Build Number: 02A. To identify the build number on your machine, refer to page 6 of this document.

*Continued*



SPRAY SYSTEMS					
SUBSYSTEM	MACHINE MODEL	DESCRIPTION	PART NUMBER	QUANTITY	GROUP PART NUMBER (INCLUDES HARDWARE)
Emulsion Spray System	RM400*, RM500†, RM500B	Nozzle – High Flow	114-1198	16	RM400: 519-6425  RM500†, RM500B: 379-9700
		Nozzle – Medium Flow	115-7575	16	
		Nozzle – Low Flow	115-7573	16	
		Breather – RM400	559-2269	1	
		Valve	114-1190	16	
		Strainer Basket	173-3701	1	
		Strainer Basket O-Ring	9M-5024	1	
		Emulsion Pump	251-6421	1	
	RM600, RM800	Housing	524-2540	16	602-3019
		Brass Gland	517-4593	16	
		Pin	517-4594	16	
		Nozzle	517-4595	16	
		Housing Seal	517-7153	32	
		Brass Gland Seal	517-7152	16	
		O-Ring	9S-8307	32	
		Pneumatic Actuator	498-7930	8	
		Strainer Basket	173-3701	1	
		Strainer Basket O-Ring	2D-1691	1	
		Emulsion Pump	587-2854	1	
Washdown Spray System	RM600, RM800	Hose Reel	388-3713	1	479-0296
		Spray Gun	398-6440	1	
		Spray Lance	488-1394	1	
		Spray Nozzle	488-1395	1	
		Water Tank Strainer	508-2086	1	
		Water Pump	538-1148	1	
		Water Filter	161-8211	1	

\* If adding a spray system to the RM400, a second touch screen display is required. Please consult your Cat dealer if adding this option.

† Build Number: 02A. To identify the build number on your machine, refer to page 6 of this document.





## UPGRADES AND OPTIONS

TO INCREASE VISIBILITY AND CAPABILITY

Upgrade your Cat reclaimer with options to enhance visibility and capability. Cameras enhance visibility from multiple angles of the machine. Various lighting options provide better illumination around the machine for the job crew during operation. Machine-specific additions allow you to tailor your machine to specific operating conditions.



## 1. WORK LIGHTING

Various lighting options available to illuminate the machine during operation and maintenance.

## 2. ROADING LIGHTS

Enable on-highway transportation. Includes turn signals and front-facing LED lamps.



## MIRRORS

Attached at various locations around the machine for proper visibility.



## CAMERAS

Improve visibility around the machine and to the cutting chamber. Options and locations vary by machine model.





## PUSH BAR

Provides a firm connection to water or emulsion truck.



## TOOLBOX

Additional toolbox available for the RM400 mounted above the rotor chamber for extra lockable storage.



## BOLT-ON COUNTERWEIGHT

Bolt-on 1600 kg (3,500 lb) counterweight kit for the RM500 and RM500B enhances machine performance in tough reclamation applications. Recommended for asphalt cuts 25 cm (10 in) deep or greater.





## LIGHTING

DESCRIPTION	MACHINE MODEL	DETAIL	PART NUMBER	QUANTITY	GROUP PART NUMBER (INCLUDES HARDWARE)
Work Lights	RM400	Halogen Flood Lamp	325-4471	10	539-3865
		LED Flood Lamp	589-0452	10	539-3870
	RM500†, RM500B	Halogen Flood Lamp	219-6485	8	381-6310
		LED Flood Lamp	589-0452	6	479-0294
	RM600, RM800	LED Rotor Strobe Light	587-8287	2	
		LED Pole Mount Lamp	594-5646	1	
		LED Lamp – Rotor Chamber	589-0458	2	
Roading Lights	RM400, RM600, RM800	Side Turn Signal Lamp	334-5410	2	RM400: 539-3860
		Rear Turn Signal Lamp	428-6700	2	
		LED Lamp – Right	525-5297	1	RM600, RM800: 479-0332
		LED Lamp – Left	525-5298	1	
	RM500†, RM500B	Halogen Lamp – Front Right	344-4455	1	382-9531
		Halogen Lamp – Front Left	344-3456	1	
		Halogen Lamp – Side	334-5410	2	
		Rear Turn Signal Lamp	392-4634	2	
Hazard Light	RM400, RM500†, RM500B, RM600, RM800	Lamp	371-2241	1	479-0333
Flood Lamp	RM400, RM500†, RM500B, RM600, RM800	Flood Lamp	594-8848	1	594-8849

## MIRRORS

MACHINE MODEL	DESCRIPTION	PART NUMBER
RM400, RM500†, RM500B	Front and Rear Mirror	220-4050
RM600, RM800	Top Operator Platform Mirror	526-5057
	Bottom Operator Platform Mirror	214-0647

## ATTACHMENTS AND ACCESSORIES

DESCRIPTION	MACHINE MODEL	PART NUMBER
<i>Available for order through your Cat dealer only.</i>		
Push Bar	RM400	589-6107
	RM500†, RM500B	446-2633
	RM600, RM800	515-0525
Toolbox	RM400	Single: 603-8571 Dual: 603-8573
Counterweight Kit	RM500†, RM500B	287-3675

† Build Number: 02A. To identify the build number on your machine, refer to page 6 of this document.



## CAMERAS

MACHINE MODEL	DESCRIPTION	DETAIL	PART NUMBER	QUANTITY	GROUP PART NUMBER (INCLUDES HARDWARE)
RM400	Front and Rear Cameras	Camera	488-9162	2	533-4305
		Plate Mount	558-2968	1	
		Bracket	539-3864	1	
	Left and Right Side Cameras	Camera	488-9162	2	543-4535
		Right Bracket Mount	565-8596	1	
		Mount Assembly	565-8595	2	
		Plate Mount	558-2968	2	
	Front and Rear Chamber Cameras*	Left Bracket Mount	565-8597	1	543-4530
		Camera	488-9161	2	
		Front Chamber Camera Mount	533-4309	1	
RM500†, RM500B	Cameras**	Rear Chamber Camera Mount	565-8732	1	421-8953
		Front, Rear and Rear Rotor Chamber Door	347-1668	3	
RM600, RM800	Left and Right Cameras	Camera	488-9163	2	479-0330
		Right Plate Mount	556-2283	1	
		Right Bracket Mount	556-2281	1	
		Left Plate Mount	556-2282	1	
		Left Bracket Mount	556-2280	1	
	Front, Rear, and Chamber Cameras	Front and Rear Cameras	488-9163	2	485-8942
		Chamber Cameras	488-9161	2	
		Rear Camera Mount	555-8400	1	
		Camera Harness Mounting Plate	558-2968	4	
		Front Camera Mount	556-2213	1	
		Rear Chamber Camera Mount	556-2286	1	
		Front Chamber Camera Mount	555-8418	1	
		Front and Rear Chamber Camera Cover	587-8953	2	

\* If adding front and rear chamber cameras to the RM400, a second touch screen display is required. Please consult your Cat dealer if adding this option.

\*\* If adding cameras to the RM500 or RM500B, an in-cab display is required. Please consult your Cat dealer if adding this option.

† Build Number: 02A. To identify the build number on your machine, refer to page 6 of this document.



## PREVENTATIVE MAINTENANCE FOR PEAK PERFORMANCE

Regular preventative maintenance to the engine, hydraulics, fuel and rotor systems is key to keeping your equipment running during the milling season. ***Please refer to your Operation and Maintenance Manual for recommended maintenance intervals and procedures.*** The following tables include common filters and components needed to perform regular service on your equipment.



## RM400 PREVENTATIVE MAINTENANCE

INTERVAL (HOURS)	SUBSYSTEM	DESCRIPTION	SERIAL NUMBER PREFIX	PART NUMBER	QUANTITY
500	Engine	Engine Oil Filter Element	AK3, R2J, R4H, Z4M	500-0483	1
		Fuel / Water Separator Filter Element		436-7077	1
	Fuel	Fuel Filter Element		500-0480	2
	Rotor Drive	Rotor Bearing Oil Tank Breather		183-3873	1
		Rotor Drive Differential Breather		243-0165	1
1000	Hydraulics	Propel / Fan Charge Filter Element	AK3, R2J, R4H, Z4M	389-1085	1
		Spray System Charge Filter Element (if equipped)		389-1079	
		Hydraulic Tank Breather		207-5997	1
		Return Hydraulic Oil Filter Element		086-3940	1
2000	Engine	Crankcase Breather Filter Element	AK3, Z4M	326-4689	1
			R2J, R4H	582-6323	1
3000	Fuel	Fuel Tank Cap	AK3, R2J, R4H, Z4M	350-7735	1
	Engine	Thermostat / Water Temperature Regulator	AK3, R2J, R4H, Z4M	377-3016	1
5000	DEF	Safety	AK3, R2J, R4H, Z4M	542-6995	1
		DEF Injector Assembly	AK3, Z4M	485-9751	1
		DEF Injector Gasket		418-2073	1
		DEF Filter Gasket		391-5262	1
		Standard Efficiency DEF Fuel Filter		378-3187	1
		Standard Efficiency DEF Pump Filter		584-8137	1
		DEF Manifold High Debris Filter Sock		584-8142	1
6000	Engine	Cat ELC® Coolant Extender		AK3, R2J, R4H, Z4M	119-5152
		Coolant Conditioner Test Kit		8T-5296	1
10000	DEF	DEF Manifold Filter Kit	AK3, Z4M	506-5819	1
		DEF Manifold Filter Assembly		506-5818	1
		DEF Header Pickup Filter		591-2380	1
		DEF Header Sock		591-2383	1



## RM500, RM500B PREVENTATIVE MAINTENANCE

INTERVAL (HOURS)	SUBSYSTEM	DESCRIPTION	SERIAL NUMBER PREFIX	PART NUMBER	QUANTITY
250	Air Filter	Cab Air Filter – Fresh Air	E5K, JSX, MB9, R5W, RMZ, S3A, TAS	119-3355	1
		Cab Air Filter – Recirculating		234-0138	1
500	Engine	Advanced Efficiency Engine Oil Filter	E5K, JSX, MB9, R5W, RMZ, S3A, TAS	1R-1808	1
		Fuel / Water Separator Filter Element		326-1643	1
	Fuel	Advanced Efficiency Fuel Filter	E5K, JSX, MB9, R5W, RMZ, S3A, TAS	1R-0749	2
	Hydraulics	Hydraulic Tank Breather	E5K, JSX, MB9, R5W, RMZ, S3A, TAS	207-5997	1
		Rotor Bearing Oil Tank Breather		183-3873	1
	Rotor Drive	Rotor Drive Differential Breather	E5K, JSX, MB9, R5W, RMZ, S3A, TAS	243-0165	1
Rotor Transmission Breather		4H-6112		1	
1000	Engine	Radiator Cap (shunt tank cap)	E5K, JSX, MB9, R5W, RMZ, S3A, TAS	031-1119	1
		Propel / Fan Charge Filter Element		389-1085	1
	Hydraulics	Return Hydraulic Oil Filter Element	E5K, JSX, MB9, R5W, RMZ, S3A, TAS	054-1719	1
		Return Hydraulic Oil Filter Seal Kit		077-6325	1
		Spray System Charge Filter <i>(if equipped)</i>		1G-8878	1
	Hydraulic Tank Breather	207-5997	1		
Rotor Drive	Rotor Transmission Oil Filter	E5K, JSX, MB9, R5W, RMZ, S3A, TAS	108-1153	1	
2000	Fuel	Fuel Tank Cap	E5K, JSX, MB9, R5W, RMZ, S3A, TAS	357-7399	1
3000	Engine	Thermostat / Water Temperature Regulator	E5K, JSX, MB9, R5W, RMZ, S3A, TAS	248-5513	2
		Thermostat / Water Temperature Regulator Cover Seal		341-1429	1
		Thermostat / Water Temperature Regulator Seal		3S-9643	2
	Safety	Seat Belt	E5K, JSX, MB9, R5W, RMZ, S3A, TAS	542-6995	1
5000	DEF	Standard Efficiency DEF Fuel Filter	E5K, MB9, R5W, S3A	378-3187	1
		DEF Injector Gasket		418-2073	1
		DEF Injector Assembly		485-9752	1
6000	Engine	Cat ELC Coolant Extender	E5K, JSX, MB9, R5W, RMZ, S3A, TAS	119-5152	2
		Coolant Conditioner Test Kit		8T-5296	1





## RM600, RM800 PREVENTATIVE MAINTENANCE

INTERVAL (HOURS)	SUBSYSTEM	DESCRIPTION	SERIAL NUMBER PREFIX	PART NUMBER	QUANTITY
500	Engine	Advanced Efficiency Engine Oil Filter	AB9, BT8, GMP, KFS, NAF, RTJ, SP7, TPW	1R-1808	1
	Fuel	Fuel Filter Drain Kit		354-5833	2
		Primary Fuel Filter Element		436-7077	1
		Fuel Filter Element	AB9, BT8, GMP, KFS, NAF, RTJ, SP7, TPW	500-0480	1
		Fuel Filter Drain Kit		563-7916	2
		Fuel and Water Separator Drain Kit		563-7917	1
1000	DEF	Fumes Disposal Filter Element	GMP, NAF, SP7, TPW	342-1725	2
	Hydraulics	Return Hydraulic Oil Filter Element		054-1719	1
		Propel / Fan Charge Filter Element Seal	AB9, BT8, GMP, KFS, NAF, RTJ, SP7, TPW	095-1671	1
		Hydraulic Tank Breather		207-5997	1
		Propel / Fan Charge Filter Element		389-1088	1
	Rotor Drive	Rotor Final Drive Breather	AB9, BT8, GMP, KFS, NAF, RTJ, SP7, TPW	535-8636	1
Spray System	Spray System Charge Filter <i>(if equipped)</i>	AB9, BT8, GMP, KFS, NAF, RTJ, SP7, TPW	1G-8878	1	
2000	Fuel	Fuel Cap	AB9, BT8, GMP, KFS, NAF, RTJ, SP7, TPW	350-7735	1
3000	Engine	Thermostat / Water Temperature Regulator	AB9, BT8, GMP, KFS, NAF, RTJ, SP7, TPW	247-7133	2
		Thermostat / Water Temperature Regulator Seal		341-1429	1
	Safety	Seat Belt	AB9, BT8, GMP, KFS, NAF, RTJ, SP7, TPW	542-6995	1
5000	DEF	DEF Injector Gasket		418-2073	1
		DEF Injector Assembly	GMP, NAF, SP7, TPW	485-9752	1
		Standard Efficiency DEF Fuel Filter		378-3187	1
6000	Engine	Cat ELC Coolant Extender	AB9, BT8, GMP, KFS, NAF, RTJ, SP7, TPW	119-5152	2
		Coolant Conditioner Test Kit		4C-9301	1
10000	DEF	DEF Header Pickup Filter		591-2380	1
		DEF Header Sock	GMP, NAF, SP7, TPW	591-2383	1



**VISIONLINK®**  
COMPLETE VISIBILITY TO MANAGE YOUR ENTIRE FLEET

Are you ready to take the guesswork out of fleet management? VisionLink® delivers easy-to-understand actionable insights to help you make informed decisions at every turn. Get the most out of your entire fleet—from one single, intuitive, and trusted application.



## DESIGNED FOR FLEETS OF 1 TO 100+

VisionLink is a cloud-based application that takes the guesswork out of managing your entire fleet – regardless of the equipment manufacturer. Review equipment data from your desktop or mobile device to maximize uptime and optimize assets. With interactive dashboards, VisionLink makes it easier for operations of all sizes to make informed decisions that lower costs and boost productivity. Your Cat Dealer can help you determine and obtain the VisionLink subscription (per machine) that best fits your business needs.

### ENTIRE FLEET VISIBILITY

- + Get actionable data insights for all assets regardless of make
- + Manage mixed OEM fleets via one interface
- + Monitor owned, rented, or leased assets

### UP-TO-DATE ASSET TRACKING

- + Track location, operating hours, fuel levels, health issues, and overall utilization
- + View work tool attachment locations across multiple worksites and measure working hours to predict the need for tool maintenance

### MAXIMIZE UPTIME

- + Monitor equipment health, fault codes, fluid analysis, and inspection due dates
- + Reduce unplanned downtime with critical alerts
- + Order parts and schedule service within the platform

### OPTIMIZE UTILIZATION

- + Manage according to projects, groups, or geofences
- + Set utilization targets and monitor performance
- + Make informed, data-based decisions to reduce operating costs

*Not all features are available for every model. Please consult your Cat dealer for subscription offerings.*

## HOW IT WORKS

### ONE-STOP SOLUTION

VisionLink is your one-stop platform for easy-to-understand data and actionable insights to optimize your assets across your entire fleet.

### MIXED FLEET MANAGEMENT

Manage all your assets—regardless of brand. Connect to 3rd party and other OEM data providers or import OEM assets using Cat Product Link™ devices.

### API CONNECTIONS

Application Programming Interfaces (APIs) allow VisionLink to connect with other software applications using ISO (AEMP 2.0) standards or custom APIs for more advanced data features such as geofences.

### MOBILE APP

Stay on the go and manage your fleet—wherever you are. Pull up VisionLink on your desktop or mobile app for iPhone and Android users.

### IN-APP SUPPORT

Navigate the app with confidence. VisionLink provides in-app help, FAQs, and tutorial videos to guide you on features and functions.

### ONE INTEGRATED EXPERIENCE

VisionLink integrates with many Cat applications including: Cat Inspect, Cat S-O-S<sup>SM</sup>, Cat SIS2 (Service Information System), and parts.cat.com. Further integrations are planned.

SHOP ONLINE AT [WWW.PARTS.CAT.COM](http://WWW.PARTS.CAT.COM) OR CONTACT YOUR LOCAL CAT DEALER

**LET'S DO THE WORK.™**

QEX03133 (11/2023)

© 2023 Caterpillar. All Rights Reserved. CAT, CATERPILLAR, LET'S DO THE WORK, their respective logos, "Caterpillar Corporate Yellow", the "Power Edge" and Cat "Modern Hex" trade dress as well as corporate and product identity used herein, are trademarks of Caterpillar and may not be used without permission.

VisionLink is a trademark of Caterpillar Inc., registered in the United States and in other countries.

